



SECUR-T

RapidRoll™ - Outdoor Portable Barrier System

| Part # | Model | Description |
|--|---|---|
| 70-7050 | RR-KIT-50-OR 50' Wheeled System | Full Wheeled System, including: <ul style="list-style-type: none">• Wheeled Base Unit• Orange cartridge• 50' orange raised profile fencing• 4 x orange posts with end lockout and 4 rubber bases |
| <i>Overall Size: 22" deep X 31" wide X 64" high Approximate Weight: 215 lbs. (Skidded shipping weight: 239 lbs.)</i> | | |

| Part # | Model | Description |
|---|---|---|
| 70-7000 | RR-FS-50-OR 50' 3-Legged System | 50' 3-Legged System, including: <ul style="list-style-type: none">• Orange cartridge• 50' orange raised profile fencing• 4 x orange posts with end lockout, in a post carry bag and 4 rubber bases• Steel cartridge base |
| <i>Overall Size: 11" diameter x 57.5" high Approximate Weight: 183 lbs. (Skidded shipping weight: 207 lbs.)</i> | | |

Wheeled System

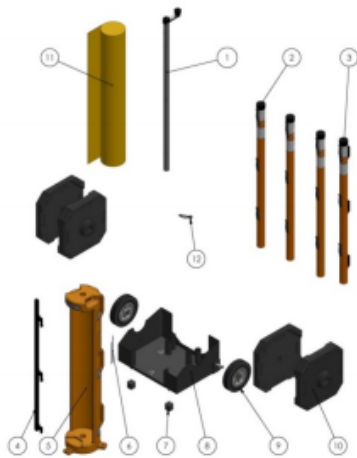


3-Legged System

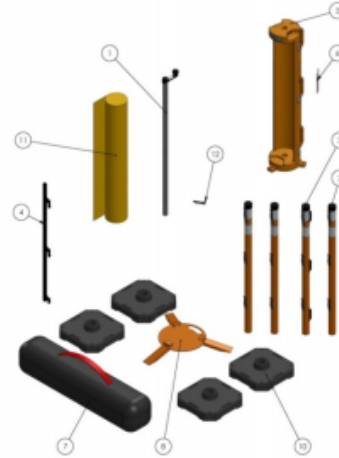


RapidRoll™ Spare/Replacement Parts

| KEY | PART # | DESCRIPTION |
|-----------------------------|-----------|--|
| 1 | 70-7001 | Center Shaft & Crank Handle Assembly |
| 2 | 70-7002 | Mid Post |
| 3 | 70-7003 | End Post |
| 4 | 70-7004 | Rapid Link Grip |
| 5 | 70-7005 | Cartridge for Kit |
| 6 | 70-7006 | Warning Label – English |
| | 70-7007 | Warning Label – French |
| | 70-7008 | Warning Label – Spanish |
| 10 | 70-7012 | Rubber Base |
| 11 | 70-7013 | 4' x 50' Orange Raised Profile Fence |
| 12 | 70-7014 | Securing Cord with Ball End |
| WHEELED MODEL PARTS | | |
| 7 | 70-7059 | Rubber feet for mobile base |
| 8 | 70-7060-A | 2- Wheel Base, Rubber Feet for Mobile Base and 10" Wheel w/cot-pin, Spacer |
| 9 | 50-9251 | Wheel for Mobile Base |
| 3-LEGGED MODEL PARTS | | |
| 7 | 70-7009 | Post Carry Bag |
| 8 | 70-7010 | Steel Base for Cartridge with Tether Assembly |
| 13 | 70-7015 | Ground Spike for Steel Base (not shown) |
| 14 | 70-7016 | Ground Spike for Post (not shown) |



**Wheeled
System**



**3-Legged
System**